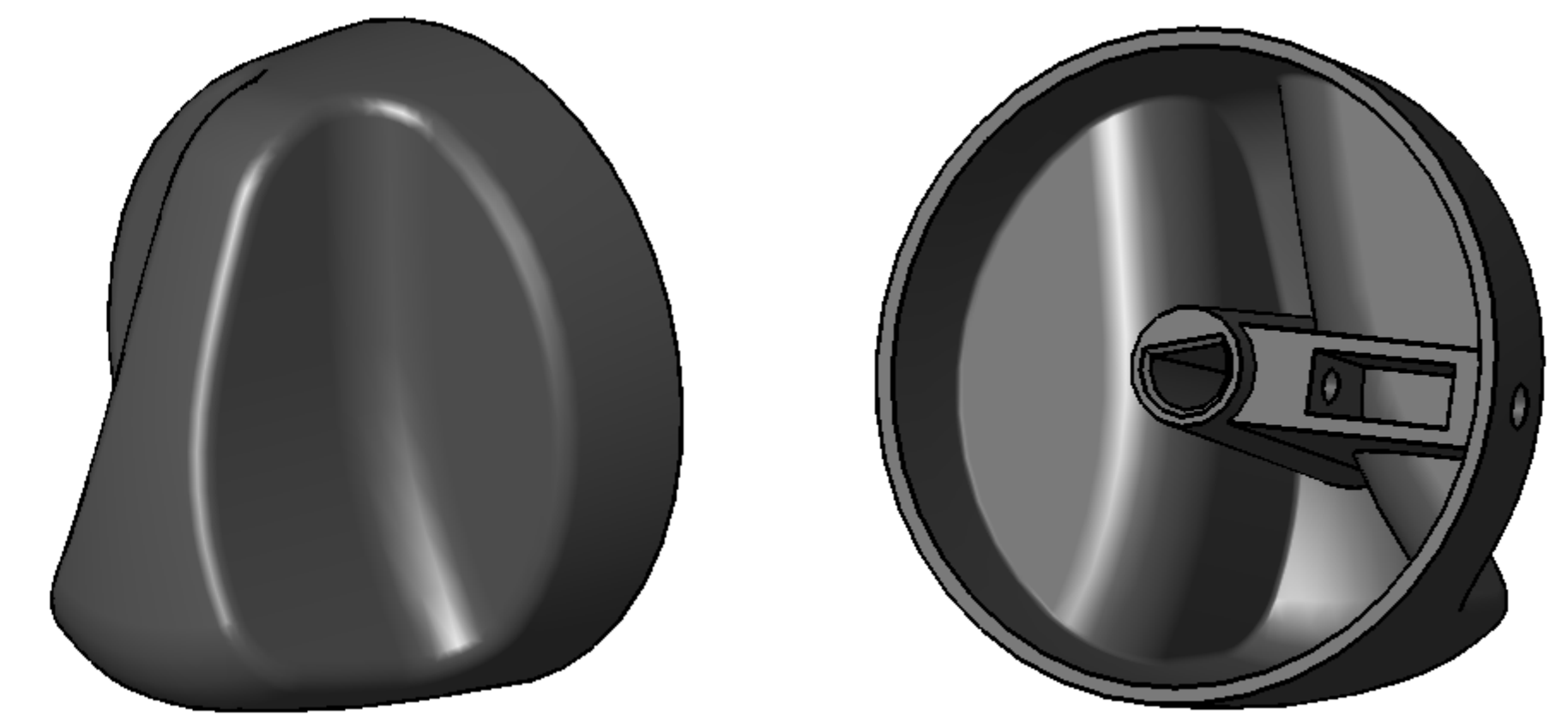
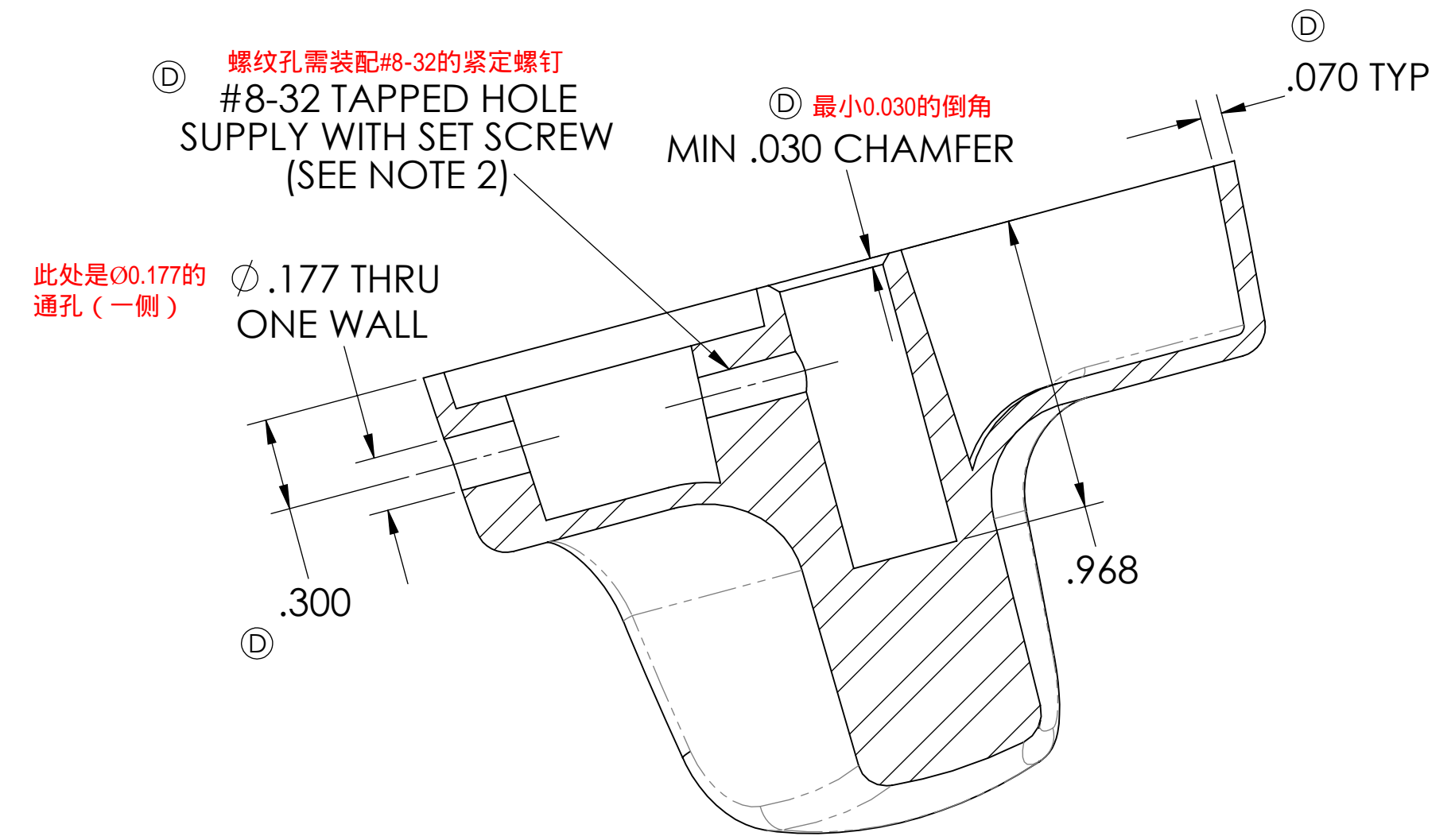
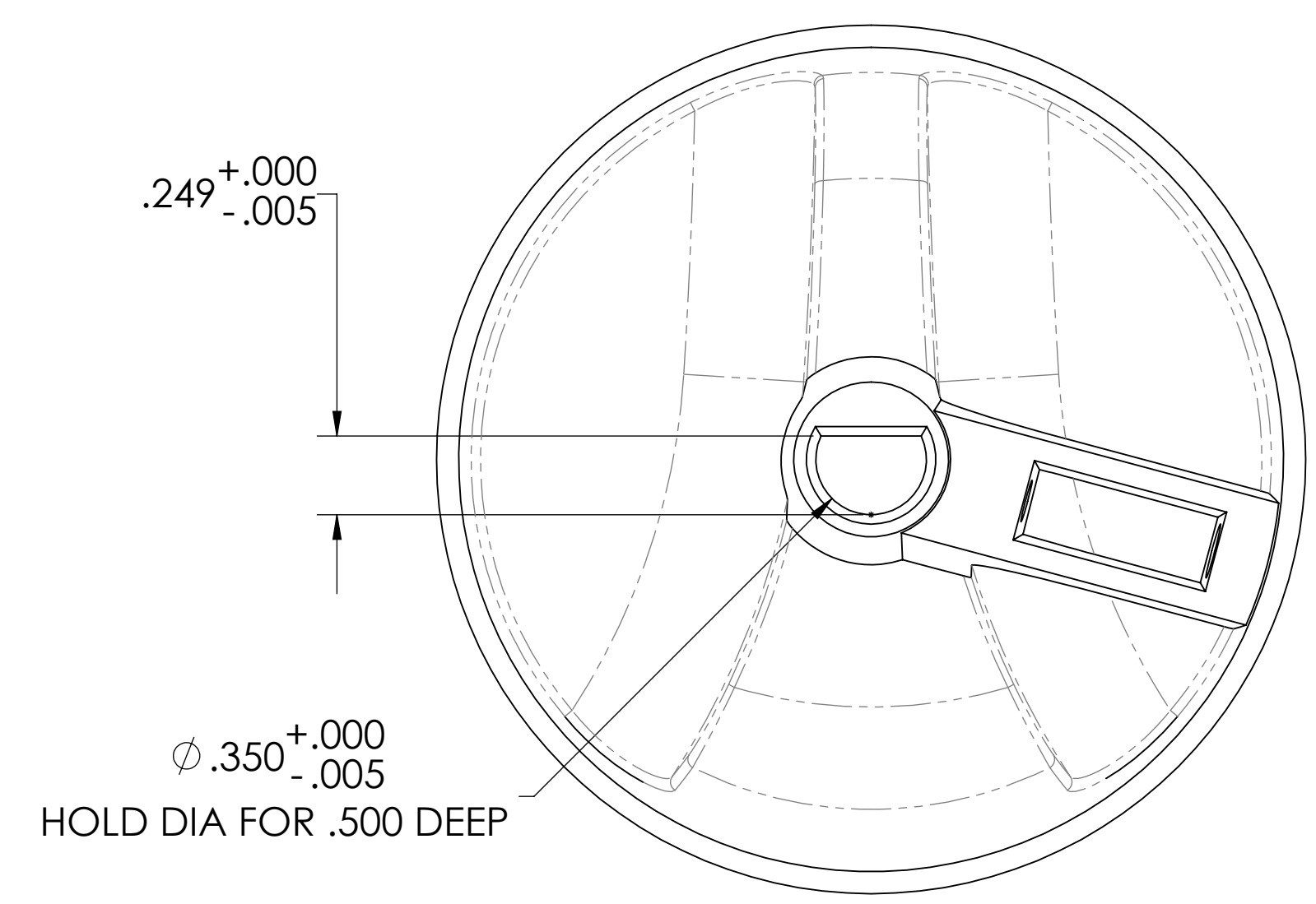
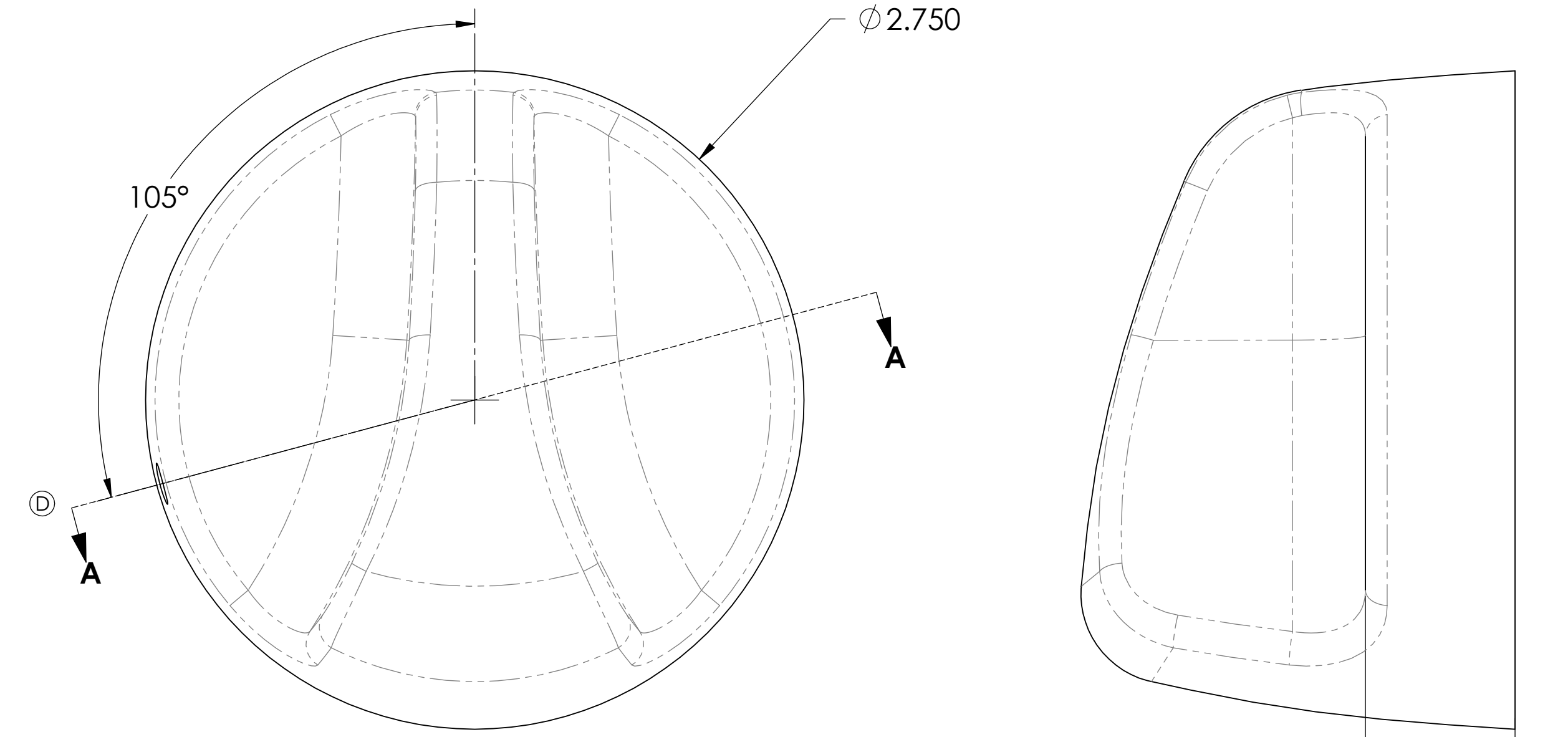


REVISIONS				
ZONE	REV.	DESCRIPTION	DATE	PCN NO.
	A	PRE-RELEASE	7-11-07	
	A1	REMOVE NOTES 2 & 6. ZINC DIE CAST WAS ZYTEL101/101F, ADDED CHROME PLATE	1/16/2008	
	B	RELEASE FOR PRODUCTION	10/7/2008	4808142
	B1	.350 DIA. WAS .345, .249 WAS .240 ADDED NOTE	2-23-09	
	C	1/4-20 X 1 SOCKET SET SCREW, SST WAS 1/4-20 X 1 SLOT SCREW, SST	5/24/2011	4811050
	D	REDRAWN, SET SCREW WAS 1/4-20 AND LOCATED AT 0-DEGREE, .3 WAS .344, WALL THICKNESS WAS .1, RENUMBER NOTES	11/17/2014	4814101 / HJJ

NOTES:

- DIMENSIONS SHOWN ARE CRITICAL. REFER TO PART MODEL FILE FOR OTHER DIMENSIONS.
- 需要供应商装配螺丝，螺丝规格：#8-32 x 0.50" (凹头螺丝5/64") 凹端紧定螺钉
- FILLET INTERNAL CORNERS FOR BEST MOLD PROCESSING.
- 最大脱模斜度为3°
- 所有边缘倒角最大0.02



499712-1 SHOWN

EST. WEIGHT: 0.430 LBS
参考重量: 0.195KG

SECTION A-A
SCALE 2:1

PURCHASED

DRAWING STATUS
SUPERSEDED BY
FOR SERVICE USE

TOLERANCES NOT SPECIFIED:	
XXX DECIMALS (EXCEPT HOLES):	+/- 0.030
PUNCHED HOLE TOLERANCES:	
DRILLED HOLE TOLERANCES:	CHAMFERS DESIGNATED BY FC
UP TO 1/16 DIA +0.001/0.001	
1/16 TO 3/8 DIA +0.004/0.002	
3/8 TO 1 DIA DIA +0.005/0.003	
1 TO 2 DIA DIA +0.005/0.002	
2 TO 3 DIA DIA +0.005/0.002	
3 TO 4 DIA DIA +0.005/0.002	
4 TO 5 DIA DIA +0.005/0.002	
5 TO 6 DIA DIA +0.005/0.002	
6 TO 8 DIA DIA +0.005/0.002	
8 TO 10 DIA DIA +0.005/0.002	
10 TO 12 DIA DIA +0.005/0.002	
12 TO 14 DIA DIA +0.005/0.002	
14 TO 16 DIA DIA +0.005/0.002	
16 TO 18 DIA DIA +0.005/0.002	
18 TO 20 DIA DIA +0.005/0.002	
20 TO 24 DIA DIA +0.005/0.002	
24 TO 30 DIA DIA +0.005/0.002	
30 TO 36 DIA DIA +0.005/0.002	
36 TO 42 DIA DIA +0.005/0.002	
42 TO 48 DIA DIA +0.005/0.002	
48 TO 54 DIA DIA +0.005/0.002	
54 TO 60 DIA DIA +0.005/0.002	
60 TO 72 DIA DIA +0.005/0.002	
72 TO 84 DIA DIA +0.005/0.002	
84 TO 96 DIA DIA +0.005/0.002	
96 TO 108 DIA DIA +0.005/0.002	
108 TO 120 DIA DIA +0.005/0.002	
120 TO 144 DIA DIA +0.005/0.002	
144 TO 168 DIA DIA +0.005/0.002	
168 TO 192 DIA DIA +0.005/0.002	
192 TO 216 DIA DIA +0.005/0.002	
216 TO 240 DIA DIA +0.005/0.002	
240 TO 288 DIA DIA +0.005/0.002	
288 TO 336 DIA DIA +0.005/0.002	
336 TO 384 DIA DIA +0.005/0.002	
384 TO 432 DIA DIA +0.005/0.002	
432 TO 480 DIA DIA +0.005/0.002	
480 TO 540 DIA DIA +0.005/0.002	
540 TO 600 DIA DIA +0.005/0.002	
600 TO 672 DIA DIA +0.005/0.002	
672 TO 744 DIA DIA +0.005/0.002	
744 TO 816 DIA DIA +0.005/0.002	
816 TO 896 DIA DIA +0.005/0.002	
896 TO 976 DIA DIA +0.005/0.002	
976 TO 1056 DIA DIA +0.005/0.002	
1056 TO 1136 DIA DIA +0.005/0.002	
1136 TO 1216 DIA DIA +0.005/0.002	
1216 TO 1344 DIA DIA +0.005/0.002	
1344 TO 1472 DIA DIA +0.005/0.002	
1472 TO 1600 DIA DIA +0.005/0.002	
1600 TO 1728 DIA DIA +0.005/0.002	
1728 TO 1856 DIA DIA +0.005/0.002	
1856 TO 1984 DIA DIA +0.005/0.002	
1984 TO 2112 DIA DIA +0.005/0.002	
2112 TO 2240 DIA DIA +0.005/0.002	
2240 TO 2368 DIA DIA +0.005/0.002	
2368 TO 2496 DIA DIA +0.005/0.002	
2496 TO 2624 DIA DIA +0.005/0.002	
2624 TO 2752 DIA DIA +0.005/0.002	
2752 TO 2880 DIA DIA +0.005/0.002	
2880 TO 3008 DIA DIA +0.005/0.002	
3008 TO 3136 DIA DIA +0.005/0.002	
3136 TO 3264 DIA DIA +0.005/0.002	
3264 TO 3392 DIA DIA +0.005/0.002	
3392 TO 3520 DIA DIA +0.005/0.002	
3520 TO 3648 DIA DIA +0.005/0.002	
3648 TO 3776 DIA DIA +0.005/0.002	
3776 TO 3904 DIA DIA +0.005/0.002	
3904 TO 4032 DIA DIA +0.005/0.002	
4032 TO 4160 DIA DIA +0.005/0.002	
4160 TO 4288 DIA DIA +0.005/0.002	
4288 TO 4416 DIA DIA +0.005/0.002	
4416 TO 4544 DIA DIA +0.005/0.002	
4544 TO 4672 DIA DIA +0.005/0.002	
4672 TO 4800 DIA DIA +0.005/0.002	
4800 TO 4928 DIA DIA +0.005/0.002	
4928 TO 5056 DIA DIA +0.005/0.002	
5056 TO 5184 DIA DIA +0.005/0.002	
5184 TO 5312 DIA DIA +0.005/0.002	
5312 TO 5440 DIA DIA +0.005/0.002	
5440 TO 5568 DIA DIA +0.005/0.002	
5568 TO 5696 DIA DIA +0.005/0.002	
5696 TO 5824 DIA DIA +0.005/0.002	
5824 TO 5952 DIA DIA +0.005/0.002	
5952 TO 6080 DIA DIA +0.005/0.002	
6080 TO 6208 DIA DIA +0.005/0.002	
6208 TO 6336 DIA DIA +0.005/0.002	
6336 TO 6464 DIA DIA +0.005/0.002	
6464 TO 6592 DIA DIA +0.005/0.002	
6592 TO 6720 DIA DIA +0.005/0.002	
6720 TO 6848 DIA DIA +0.005/0.002	
6848 TO 6976 DIA DIA +0.005/0.002	
6976 TO 7104 DIA DIA +0.005/0.002	
7104 TO 7232 DIA DIA +0.005/0.002	
7232 TO 7360 DIA DIA +0.005/0.002	
7360 TO 7488 DIA DIA +0.005/0.002	
7488 TO 7616 DIA DIA +0.005/0.002	
7616 TO 7744 DIA DIA +0.005/0.002	
7744 TO 7872 DIA DIA +0.005/0.002	
7872 TO 8000 DIA DIA +0.005/0.002	
8000 TO 8128 DIA DIA +0.005/0.002	
8128 TO 8256 DIA DIA +0.005/0.002	
8256 TO 8384 DIA DIA +0.005/0.002	
8384 TO 8512 DIA DIA +0.005/0.002	
8512 TO 8640 DIA DIA +0.005/0.002	
8640 TO 8768 DIA DIA +0.005/0.002	
8768 TO 8896 DIA DIA +0.005/0.002	
8896 TO 9024 DIA DIA +0.005/0.002	
9024 TO 9152 DIA DIA +0.005/0.002	
9152 TO 9280 DIA DIA +0.005/0.002	
9280 TO 9408 DIA DIA +0.005/0.002	
9408 TO 9536 DIA DIA +0.005/0.002	
9536 TO 9664 DIA DIA +0.005/0.002	
9664 TO 9792 DIA DIA +0.005/0.002	
9792 TO 9920 DIA DIA +0.005/0.002	
9920 TO 10048 DIA DIA +0.005/0.002	
10048 TO 10176 DIA DIA +0.005/0.002	
10176 TO 10304 DIA DIA +0.005/0.002	
10304 TO 10432 DIA DIA +0.005/0.002	
10432 TO 10560 DIA DIA +0.005/0.002	
10560 TO 10688 DIA DIA +0.005/0.002	
10688 TO 10816 DIA DIA +0.005/0.002	
10816 TO 10944 DIA DIA +0.005/0.002	
10944 TO 11072 DIA DIA +0.005/0.002	
11072 TO 11200 DIA DIA +0.005/0.002	
11200 TO 11328 DIA DIA +0.005/0.002	
11328 TO 11456 DIA DIA +0.005/0.002	
11456 TO 11584 DIA DIA +0.005/0.002	
11584 TO 11712 DIA DIA +0.005/0.002	
11712 TO 11840 DIA DIA +0.005/0.002	
11840 TO 11968 DIA DIA +0.005/0.002	
11968 TO 12096 DIA DIA +0.005/0.002	
12096 TO 12224 DIA DIA +0.005/0.002	
12224 TO 12352 DIA DIA +0.005/0.002	
12352 TO 12480 DIA DIA +0.005/0.002	
12480 TO 12608 DIA DIA +0.005/0.002	
12608 TO 12736 DIA DIA +0.005/0.002	
12736 TO 12864 DIA DIA +0.005/0.002	
12864 TO 12992 DIA DIA +0.005/0.002	
12992 TO 13120 DIA DIA +0.005/0.002	
13120 TO 13248 DIA DIA +0.005/0.002	
13248 TO 13376 DIA DIA +0.005/0.002	
13376 TO 13504 DIA DIA +0.005/0.002	
13504 TO 13632 DIA DIA +0.005/0.002	
13632 TO 13760 DIA DIA +0.005/0.002	
13760 TO 13888 DIA DIA +0.005/0.002	
13888 TO 14016 DIA DIA +0.005/0.002	
14016 TO 14144 DIA DIA +0.005/0.002	
14144 TO 14272 DIA DIA +0.005/0.002	
14272 TO 14400 DIA DIA +0.005/0.002	
14400 TO 14528 DIA DIA +0.005/0.002	
14528 TO 14656 DIA DIA +0.005/0.002	
14656 TO 14784 DIA DIA +0.005/0.002	
14784 TO 14912 DIA DIA +0.005/0.002	
14912 TO 15040 DIA DIA +0.005/0.002	
15040 TO 15168 DIA DIA +0.005/0.002	
15168 TO 15296 DIA DIA +0.005/0.002	
15296 TO 15424 DIA DIA +0.005/0.002	
15424 TO 15552 DIA DIA +0.005/0.002	
15552 TO 15680 DIA DIA +0.005/0.002	
15680 TO 15808 DIA DIA +0.005/0.002	
15808 TO 15936 DIA DIA +0.005/0.002	
15936 TO 16064 DIA DIA +0.005/0.002	
16064 TO 16192 DIA DIA +0.005/0.002	
16192 TO 16320 DIA DIA +0.005/0.002	
16320 TO 16448 DIA DIA +0.005/0.002	
16448 TO 16576 DIA DIA +0.005/0.002	
16576 TO 16704 DIA DIA +0.005/0.002	
16704 TO 16832 DIA DIA +0.005/0.002	
16832 TO 16960 DIA DIA +0.005/0.002	
16960 TO 17088 DIA DIA +0.005/0.002	
17088 TO 17216 DIA DIA +0.005/0.002	
17216 TO 17344 DIA DIA +0.005/0.002	
17344 TO 17472 DIA DIA +0.005/0.002	
17472 TO 17600 DIA DIA +0.005/0.002	
17600 TO 17728 DIA DIA +0.005/0.002	
17728 TO 17856 DIA DIA +0.005/0.002	
17856 TO 17984 DIA DIA +0.005/0.002	
17984 TO 18112 DIA DIA +0.005/0.002	
18112 TO 18240 DIA DIA +0.005/0.002	
18240 TO 18368 DIA DIA +0.005/0.002	
18368 TO 18496 DIA DIA +0.005/0.002	
18496 TO 18624 DIA DIA +0.005/0.002	
18624 TO 18752 DIA DIA +0.005/0.002	
18752 TO 18880 DIA DIA +0.005/0.002	
18880 TO 19008 DIA DIA +0.005/0.002	
19008 TO 19136 DIA DIA +0.005/0.002	
19136 TO 19264 DIA DIA +0.005/0.002	
19264 TO 19392 DIA DIA +0.005/0.002	
19392 TO 19520 DIA DIA +0.005/0.002	
19520 TO 19648 DIA DIA +0.005/0.002	
19648 TO 19776 DIA DIA +0.005/0.002	
19776 TO 19904 DIA DIA +0.005/0.002	
19904 TO 20032 DIA DIA +0.005/0.002	
20032 TO 20160 DIA DIA +0.005/0.002	
20160 TO 20288 DIA DIA +0.005/0.002	
20288 TO 20416 DIA DIA +0.005/0.002	
20416 TO 20544 DIA DIA +0.005/0.002	
20544 TO 20672 DIA DIA +0.005/0.002	
20672 TO 20800 DIA DIA +0.005/0.002	
20800 TO 20928 DIA DIA +0.005/0.002	
20928 TO 21056 DIA DIA +0.005/0.002	
21056 TO 21184 DIA DIA +0.005/0.002	
21184 TO 21312 DIA DIA +0.005/0.002	
21312 TO 21440 DIA DIA +0.005/0.002	
21440 TO 21568 DIA DIA +0.005/0.002	
21568 TO 21696 DIA DIA +0.005/0.002	
21696 TO 21824 DIA DIA +0.005/0.002	
21824 TO 21952 DIA DIA +0.005/0.002	
21952 TO 22080 DIA DIA +0.005/0.002	
22080 TO 22208 DIA DIA +0.005/0.002	
22208 TO 22336 DIA DIA +0.005/0.002	
22336 TO 22464 DIA DIA +0.005/0.002	
22464 TO 22592 DIA DIA +0.005/0.002	
22592 TO 22720 DIA DIA +0.005/0.002	
22720 TO 22848 DIA DIA +0.005/0.002	
22848 TO 22976 DIA DIA +0.005/0.002	
22976 TO 23104 DIA DIA +0.005/0.002	
23104 TO 23232 DIA DIA +0.005/0.002	
23232 TO 23360 DIA DIA +0.005/0.002	
23360 TO 23488 DIA DIA +0.005/0.002	
23488 TO 23616 DIA DIA +0.005/0.002	
23616 TO 23744 DIA DIA +0.005/0.002	
23744 TO 23872 DIA DIA +0.005/0.002	
23872 TO 24000 DIA DIA +0.005/0.002	
24000 TO 24128 DIA DIA +0.005/0.002	
24128 TO 24256 DIA DIA +0.005/0.002	
24256 TO 24384 DIA DIA +0.005/0.002	
24384 TO 24512 DIA DIA +0.005/0.002	
24512 TO 24640 DIA DIA +0.005/0.002	
24640 TO 24768 DIA DIA +0.005/0.002	
24768 TO 24896 DIA DIA +0.005/0.002	
24896 TO 25024 DIA DIA +0.005/0.002	
25024 TO 25152 DIA DIA +0.005/0.002	
25152 TO 25280 DIA DIA +0.005/0.002	
25280 TO 25408 DIA DIA +0.005/0.002	
25408 TO 25536 DIA DIA +0.005/0.002	
25536 TO 25664 DIA DIA +0.005/0.002	
25664 TO 25792 DIA DIA +0.005/0.002	
25792 TO 25920 DIA DIA +0.005/0.002	
25920 TO 26048 DIA DIA +0.005/0.002	
26048 TO 26176 DIA DIA +0.005/0.002	
26176 TO 26304 DIA DIA +0.005/0.002	
26304 TO 26432 DIA DIA +0.005/0.002	
26432 TO 26560 DIA DIA +0.005/0.002	
26560 TO 26688 DIA DIA +0.005/0.002	
26688 TO 26816 DIA DIA +0.005/0.002	
26816 TO 26944 DIA DIA +0.005/0.002	
26944 TO 27072 DIA DIA +0.005/0.002	
27072 TO 27200 DIA DIA +0.005/0.002	
27200 TO 27328 DIA DIA +0.005/0.002	
27328 TO 27456 DIA DIA +0.005/0.002	
27456 TO 27584 DIA DIA +0.005/0.002	
27584 TO 27712 DIA DIA +0.005/0.002	
27712 TO 2784	